

# Rubber Trails & Surfaces Canada Ltd.

[www.rubbertrailsandsurfaces.ca](http://www.rubbertrailsandsurfaces.ca)

815 HWY 336  
Upper Musquodoboit  
Nova Scotia Canada B0N 2M0  
Tel.: (902) 568-2469  
Fax: (902) 568-2460  
[info@rubbertrailsandsurfaces.ca](mailto:info@rubbertrailsandsurfaces.ca)

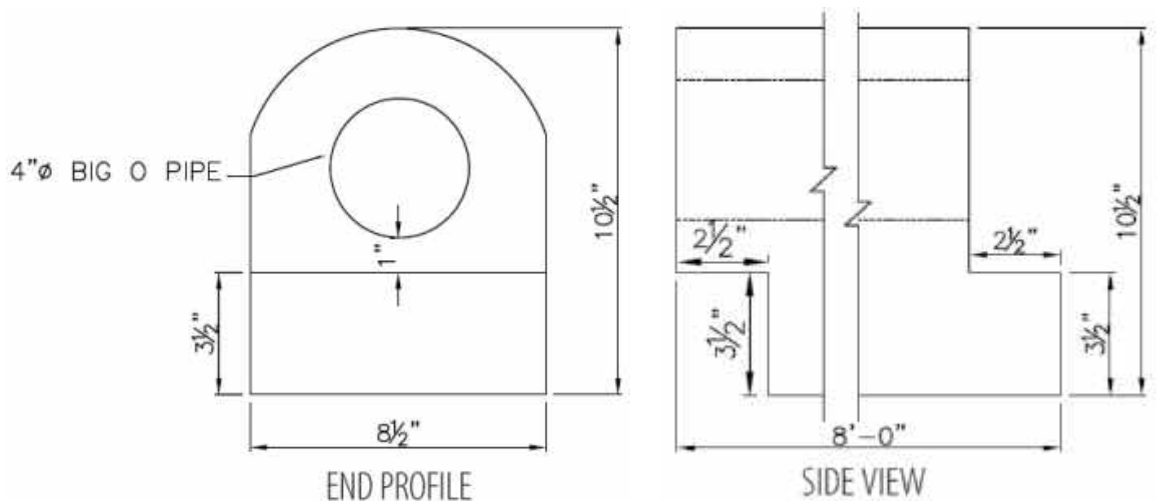
## Rubber Flex Beach Volley Ball Curbs

In the past most school yard beach Volley Ball courts were dug out from an unused portion of the school yard and then filled with sand. Within a very short time this type of court became quite unsightly.

Our Rubber flex curb helps to keep your court in a more professional and pristine condition, making it much more inviting to a greater number of individuals wanting to participate in this fast growing sport.

Our molded rubber curb is made with 90% recycled rubber content, this Rubber Flex Curb provides you with a long lasting perimeter edging that will help to keep your court looking professional and safe when compared to traditional forms of edging like plastic, treated wood or cement.

The 8 ft sections require only 1 anchor and because the curbs overlap where the anchor is placed, there is no chance of the anchor working it's way out causing a trip hazard, commonly seen with plastic edgings.



William Morgan at a YMCA in Massachusetts created volley Ball in 1895; this game is now one of the fastest growing sports in the world today.

Because this sport can be played by virtually everyone, schools have found that it is extremely effective way to keep a large portion of their students involved in sport and most importantly physically fit.

Please contact us for more information.